

Installation Instructions AL1 Series Lever Handle for Deadlatch

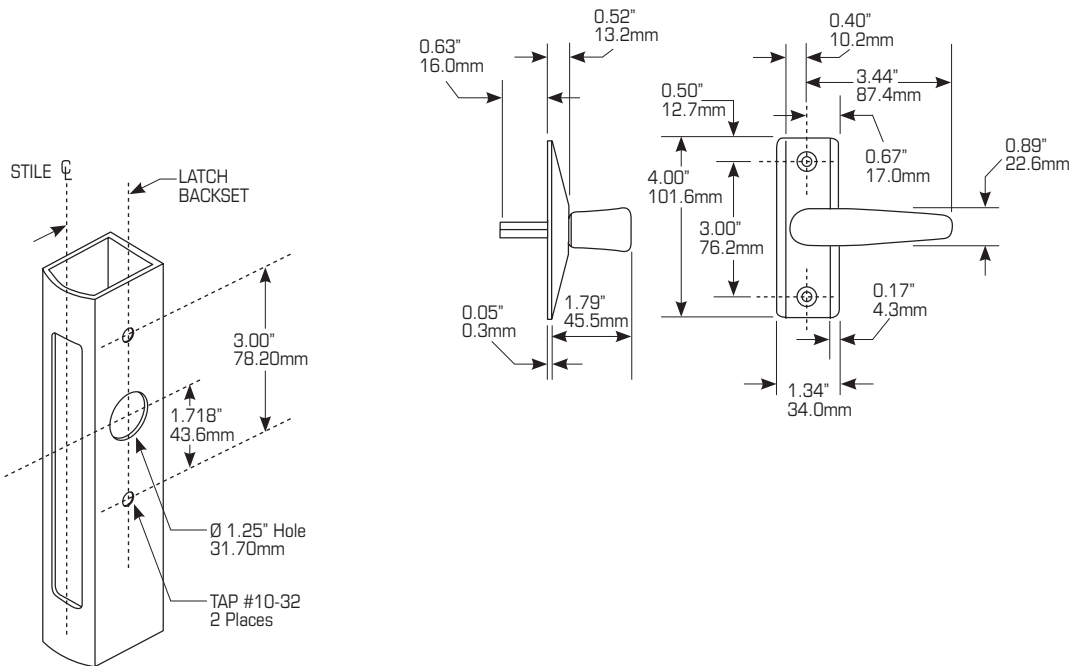
Installation Instructions

INSTALLATION INSTRUCTIONS:

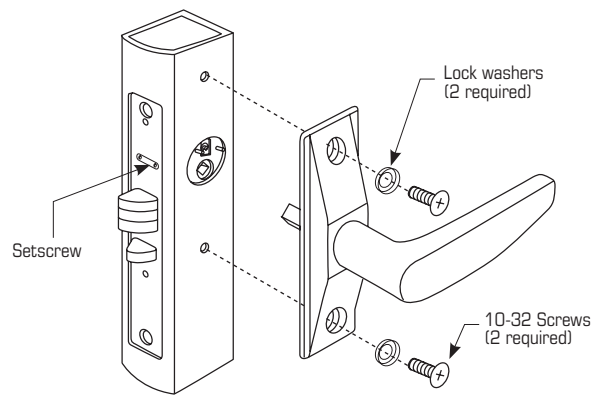
Individually boxed with machine screws for mounting, non-handed, field reversible. Available finishes aluminum / duranodic .

More installation instructions may be available on the Internet at www.GeneralLock.com.

DIMENSIONS



NARROW STILE PREPARATION



INSTALLATION

GENERAL LOCK

Quality & Value™