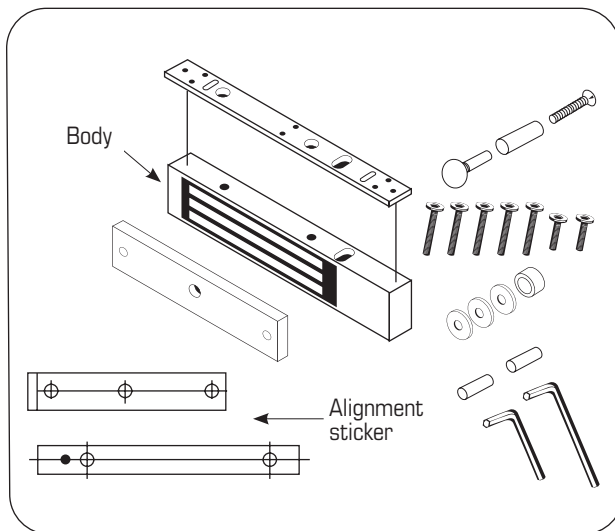


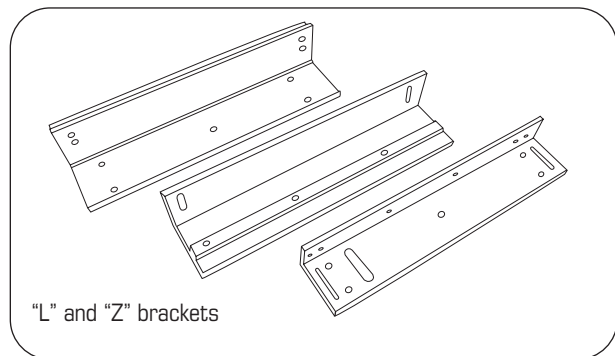
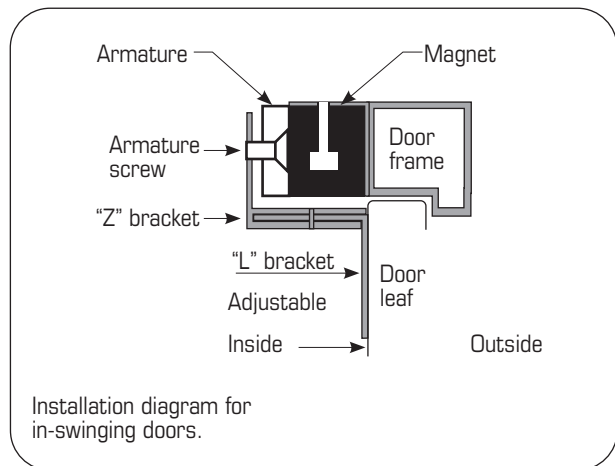
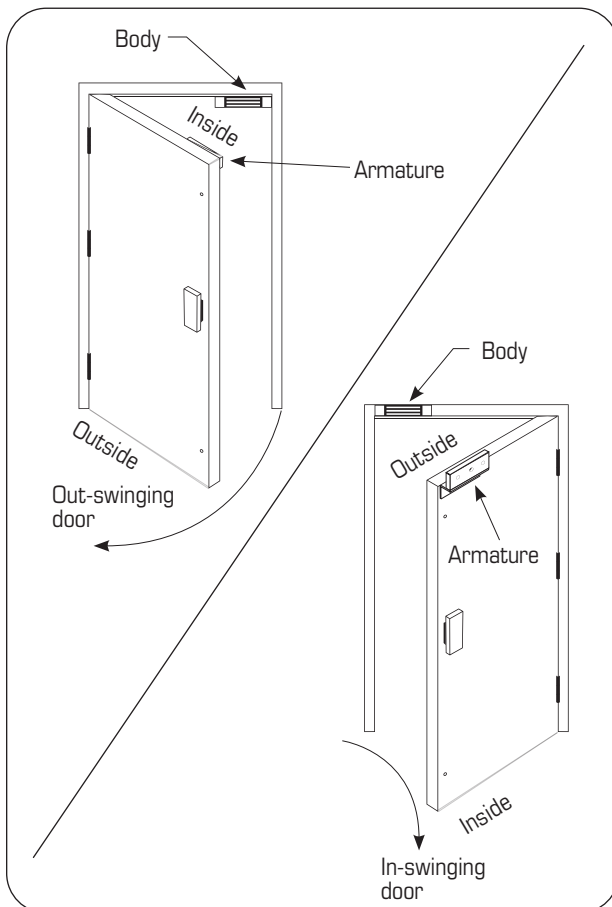
# EM600 and EM1200 Series Maglock Installation

Accessory Diagram and Installation Instructions



## INSTALLATION INSTRUCTIONS:

When installing a maglock, user should know type of door to be used. Magnetic locks are best used for out-swinging door. A "Z" bracket must be used to install on in-swinging doors.



**GENERAL LOCK**

Quality & Value™

— Product Guide 103.1 — J:7

# EM600 and EM1200 Series Maglock Installation

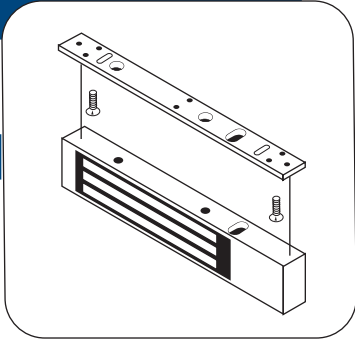
## Step by Step Installation Instructions

### STEP 1:

Place the magnet template on top of door frame and the armature template on top of door leaf according to the drawings on previous page. Confirm that they are in the right position before drilling all the holes.

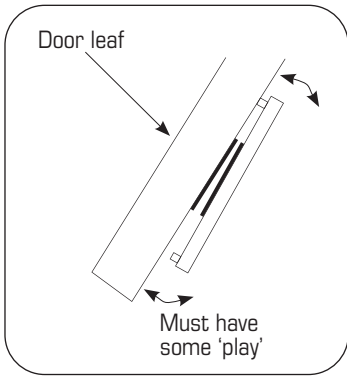
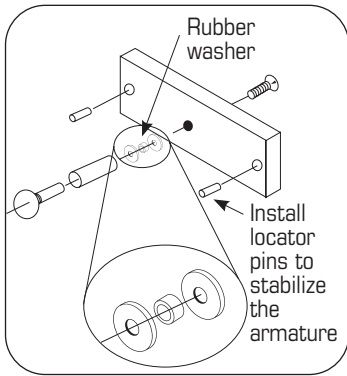
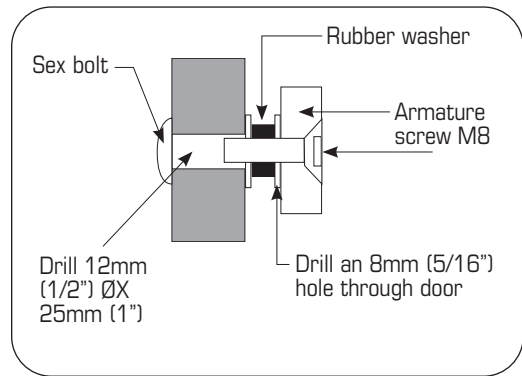
### STEP 2:

Fix the mounting plate in the door jamb using supplied self-tapping screws.



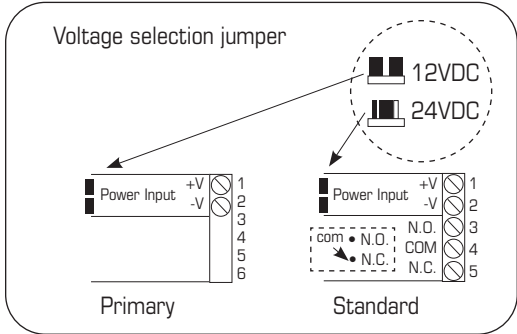
### STEP 3:

Ensure the armature is set to the right position and drill a 12mm hole from sex nut and bolt side and drill an 8mm hole through the door. When a hollow door is used, user should drill a 16mm hole. A door spacer is used to fit in a sex nut and bolt. Then, push the sex nut and bolt in the drilled hole and tighten it with screw driver. The armature must be loose slightly to compensate the door misalignment, so that the armature face and the magnet face can be closed and make the magnetic force to maximum effect.



### STEP 4:

Select the correct voltage



### STEP 5:

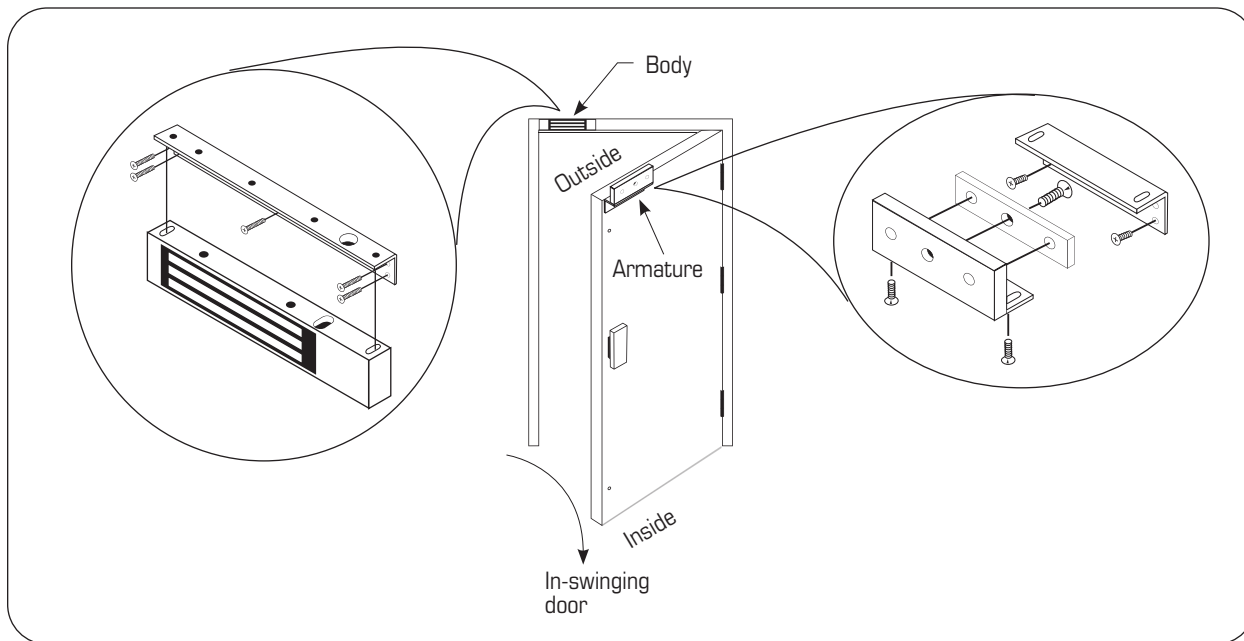
Fix the magnet to the mounting (screws for fitting are included in the magnetic body) and ensure the armature closes lightly against the magnet when the door is closed to avoid damage to the mating surface.

# EM600 and EM1200 Series Maglock Installation

Bracket Installation Instructions for In-Swinging Door

## STEP 1:

Fix the magnet to the door jamb and fix the armature with the L and Z brackets in the door leaf (as follows).



## STEP 2:

Setting of voltage: please refer to out-swinging door (previous page "Step 4").

**GENERAL LOCK**

Quality & Value™

— Product Guide 103.1 — J:9