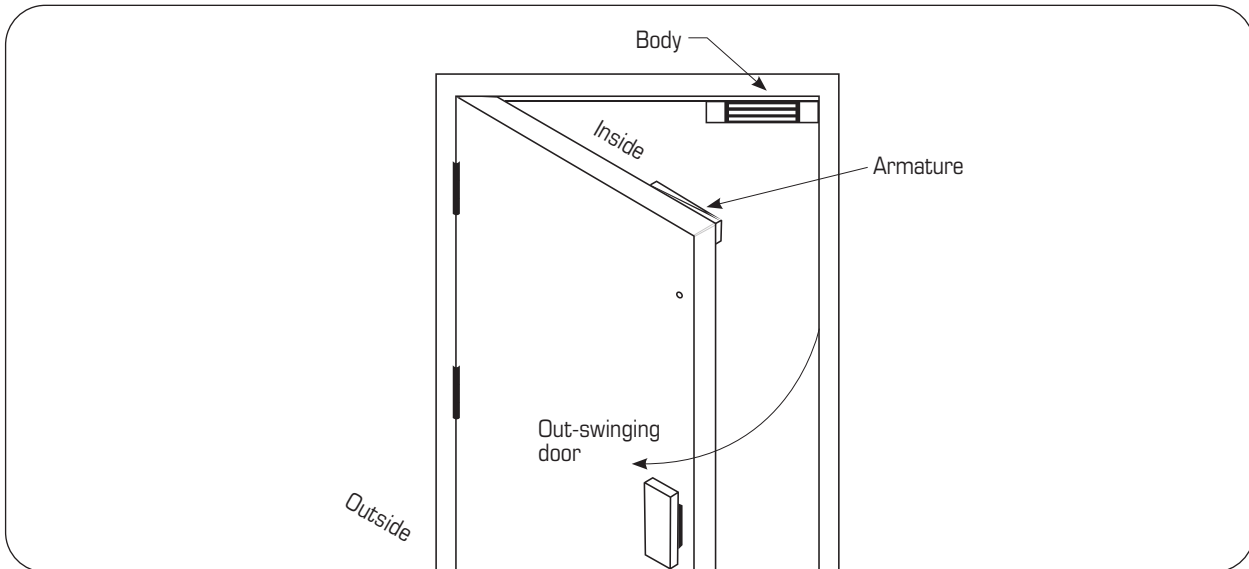
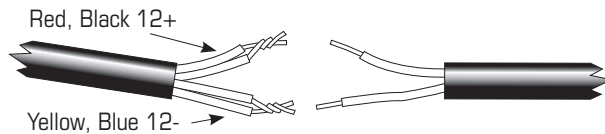
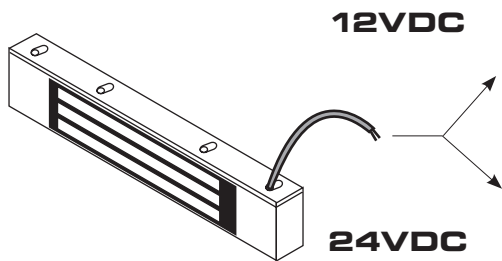


## EM300 Series Maglock Installation

When installing a magnetic lock the user should be sure of the type of door used. Magnetic locks are specifically for use on an out-swinging door.

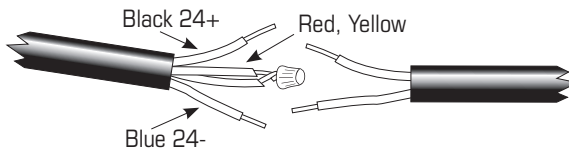


Select the correct voltage



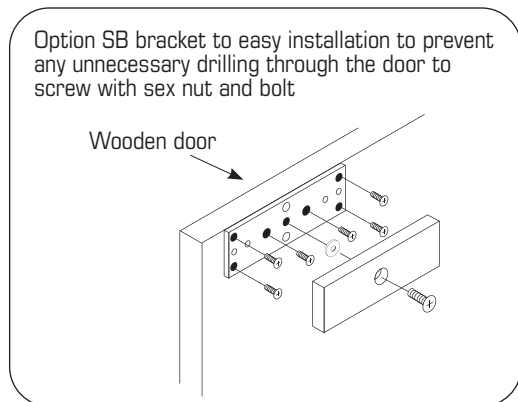
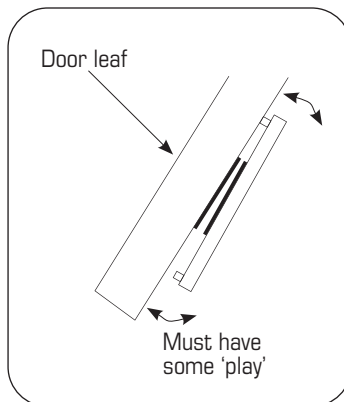
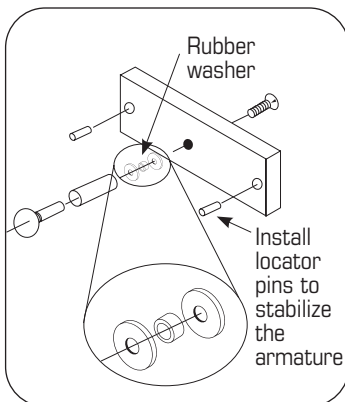
For 12VDC operation, connect Red and Black leads to 12VDC+, connect Blue and Yellow leads to 12VDC-.

*Note: Be sure to use insulated crimp-on connectors.*



For 24VDC operation, connect Black lead to 24VDC+, connect Blue lead to 24VDC-, connect Red and Yellow leads together.

*Note: Be sure to use insulated crimp-on connectors.*



**GENERAL LOCK**

Quality & Value™