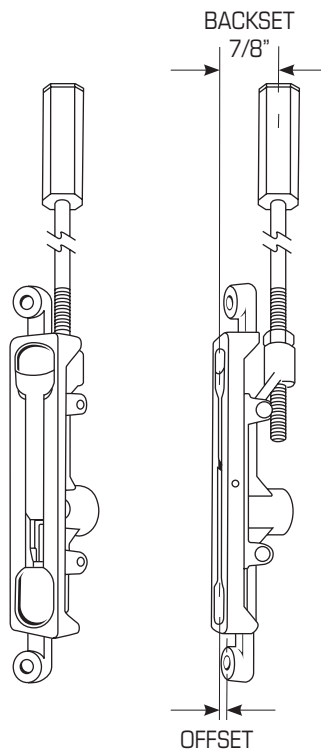


AFB Series Flushbolt

Applications, Features, Finishes, Ordering Information, and Installation Instructions

APPLICATIONS:

For use on narrow stile glass/aluminum (storefront) applications. Flush bolts are for use on an opening where one of two doors is inactive.



AFB18
shown

FEATURES:

- 15/16" x 4-1/4" radius face
- Positive actuator with 5/8" throw
- 1/8" and 1/4" offset with 7/8" backset
AFB18 = 1/8" offset with guide
AFB14 = 1/4" offset with guide
- 12" rod length for centerline of face installation
- Square nylon tip fits in 1/2" square hole

FINISHES AVAILABLE:

- AL - Aluminum
- DU - Duranodic

INSTALLATION INSTRUCTIONS:

More installation instructions may be available on the Internet at www.GeneralLock.com

Actual product may differ from picture shown.

GENERAL LOCK

Quality & Value™

— Product Guide 103.1 — K:5