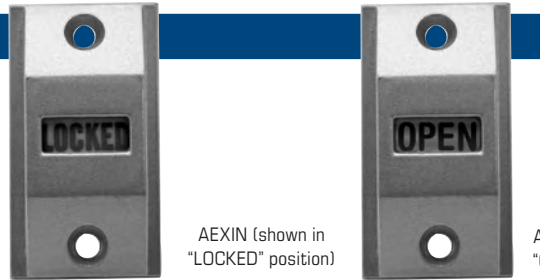


# AEXIN Series Lock Indicator

Applications, Dimensions, Message Panel, Material/Finish, and Installation Instructions

## APPLICATIONS:

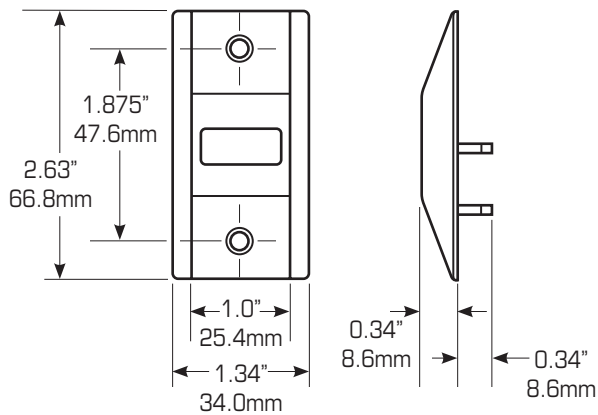
AEXIN Series Lock Indicator: Provides unmistakable notification of an exit door's "LOCKED" or "OPEN" condition. Under many local building safety codes, this allows the use, in certain occupancies, of a security deadlock instead of less secure panic devices. It includes two permanent adhesive multi-header signs: "THIS DOOR MUST REMAIN UNLOCKED DURING BUSINESS HOURS" and "THIS DOOR TO REMAIN UNLOCKED WHEN THE BUILDING IS OCCUPIED."



AEXIN (shown in "LOCKED" position)

AEXIN (shown in "OPEN" position)

## DIMENSIONS:



## MESSAGE PANEL:

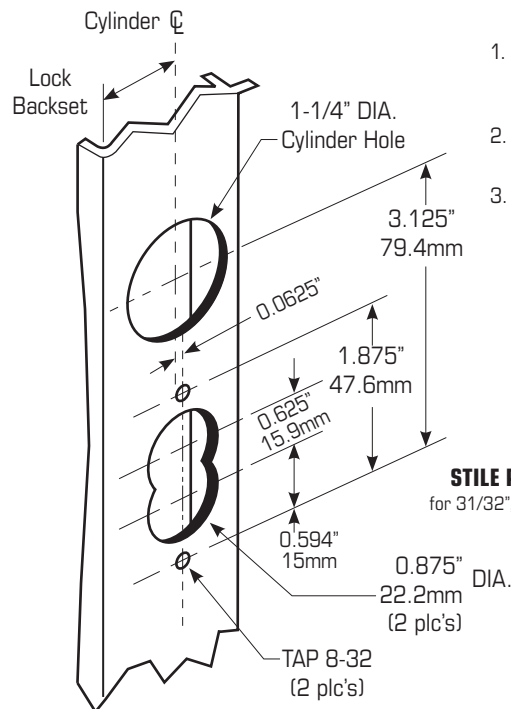
"OPEN" appears in black letters on white background when lock is retracted and "LOCKED" in red letters when actuated.

## MATERIAL/FINISH:

Indicator escutcheon is zinc alloy in duranodic or Aluminum finish. Header sign is clear aluminum match with black letters.

## INSTALLATION INSTRUCTIONS:

1. Drill or drill and tap holes on inside face of Stile as shown
2. Select pin and insert into lock
3. Install Lock Indicator with (2) #8-32 x 5/16" Flat Head Machine Screw



**STILE PREPARATION**  
for 31/32", or 1-1/8" Backset

