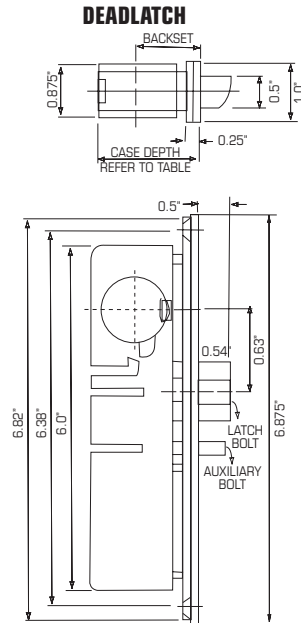


ADL Series Mortise Deadlatch

Applications, Features, Table, Cylinders, and Installation Instructions

APPLICATIONS:

For narrow stile glass/aluminum (storefront) door systems. Provides traffic control, key controlled latch hold back for convenient push-pull operation during business hours. For greater security, a latch guard or full length security astragal is recommended.



FEATURES:

FUNCTIONS: Deadlatch

BACKSET: 31/32", 1-1/8"

HAND: Non-handed, easily reversible

FINISHES: AL-aluminum, DU-duranodic

FACE PLATE: 1" W x 6-7/8" L
Supplied with 4 face plates
Flat aluminum / duranodic
Radius aluminum / duranodic

DIMENSIONS: Case Dimensions = 7/8" W x 6" L x Depth
(specific to backset)

DEADLATCH: Deadbolt- 1/2" W x 1.0" L x 1/2" throw,
Zinc alloy latchbolt with Delrin plastic
insert, auxiliary bolt zinc diecast, deadlocks
latchbolt, and prevents manipulation.

CYLINDERS:

Accepts standard 1-5/32" diameter mortise cylinder.
Requires MS A/R type cam.

INSTALLATION INSTRUCTIONS:

Individually boxed with machine screws for mounting, supplied standard with four face plates. Flat-2 ea., aluminum / duranodic finish. Radius-2 ea., aluminum / duranodic finish.

More installation instructions may be available on the Internet at www.GeneralLock.com

Actual product may differ from picture shown.

TABLE:

FUNCTION	LOCK BACKSET	CASE DEPTH
Deadlatch	31/32" - 1-1/8"	1.63" - 1.76"

GENERAL LOCK

Quality & Value™

— Product Guide 103.1 — | K:3 |